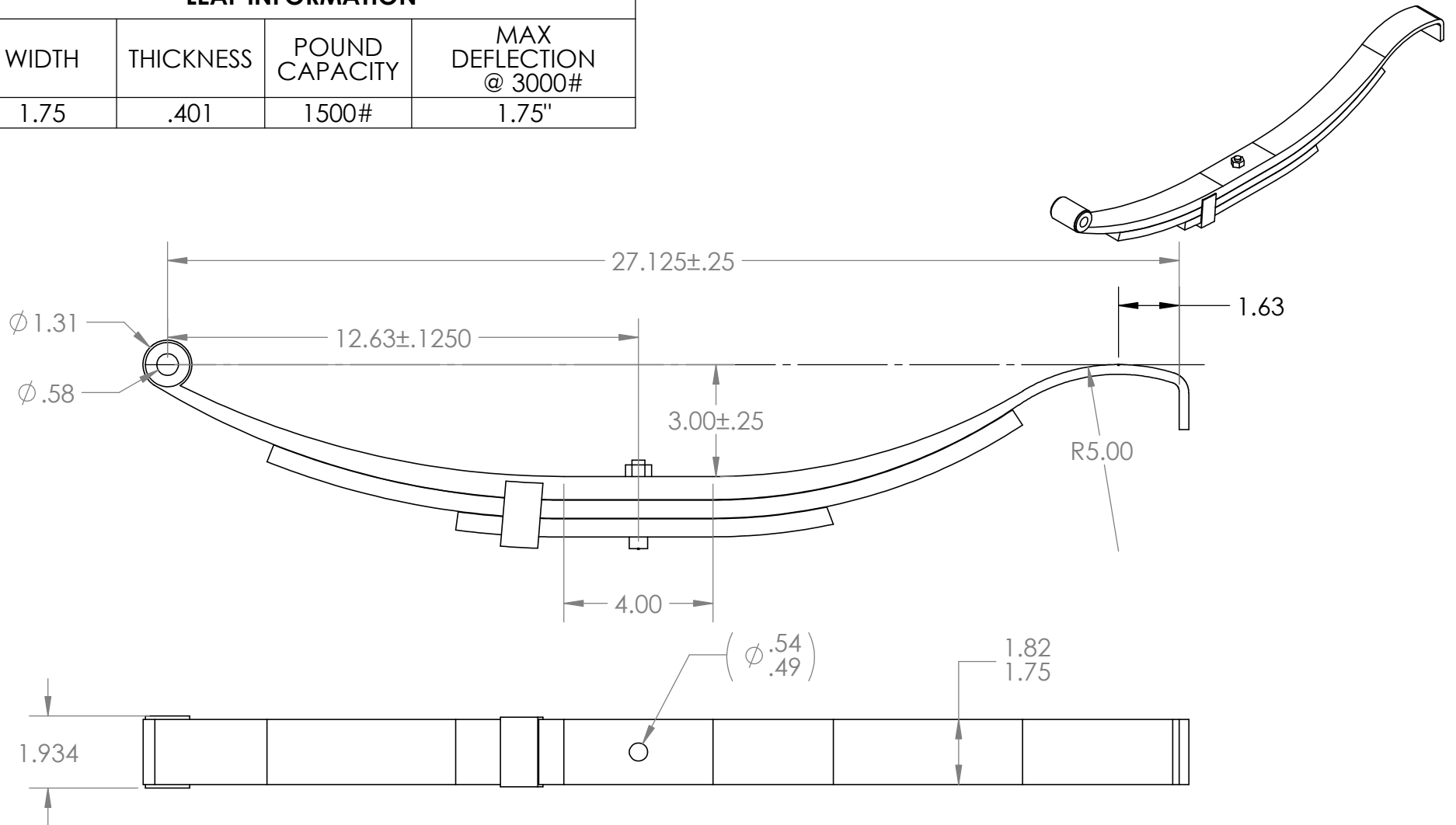


### LEAF INFORMATION

WIDTH	THICKNESS	POUND CAPACITY	MAX DEFLECTION @ 3000#
1.75	.401	1500#	1.75"



ALL DIMENSIONS ARE IN INCHES  
UNLESS OTHERWISE STATED  
TOLERANCES EXCEPT AS NOTED

**DECIMALS:**

.X ±0.100  
.XX ±0.060  
.XXX ±0.030  
.XXXX ±0.010

**ANGLES:**

±1°  
ALL FORMED ANGLES  
EQUAL 90° UNLESS  
NOTED OTHERWISE

( ) INDICATES REFERENCE

THE INFORMATION IN THIS DRAWING IS THE SOLE  
PROPERTY OF KARAVAN TRAILERS, INC. ANY  
REPRODUCTION IN PART OR WHOLE WITHOUT  
THE WRITTEN PERMISSION OF KARAVAN TRAILERS,  
INC. IS PROHIBITED

APPROVED BY:

---

DRAWN BY:

Mike Stansberry

DATE:

10-17-2017

SHEET:

1 OF 1

SCALE:

N/A

# KARAVAN

TITLE:

MULTI-LF

MATL:

PURCHASED

FINISH:

N/A

DWG. #:

**219-00058**

DWG. REV.	ECR/NDR NUMBER	REVISED BY	DATE	DESCRIPTION
A	16062	MCS	10-17-17	DRAWING CREATED