

NOTES:

- 1.) .141 ±.007 WALL TYP. UNLESS NOTED.
- 2.) DIE # 5090
- 3.) WT. PER FT - .828

ALL DIMENSIONS ARE IN INCHES
UNLESS OTHERWISE STATED
TOLERANCES EXCEPT AS NOTED

DECIMALS:
 .X ±0.100
 .XX ±0.060
 .XXX ±0.030
 .XXXX ±0.010

ANGLES:
 ±1°

ALL FORMED ANGLES
 EQUAL 90° UNLESS
 NOTED OTHERWISE

() INDICATES REFERENCE

THE INFORMATION IN THIS DRAWING IS THE SOLE
 PROPERTY OF SMART TRANSPORT SOLUTIONS, INC.
 ANY REPRODUCTION IN PART OR WHOLE WITHOUT
 THE WRITTEN PERMISSION OF SMART TRANSPORT
 SOLUTIONS, INC. IS PROHIBITED

APPROVED BY:

DRAWN BY:
 JOEL NEHRING

DATE:
 08-02-07

SHEET:
 1 OF 2

SCALE:
 N/A

SMART Transport Solutions
...the genius is in the design

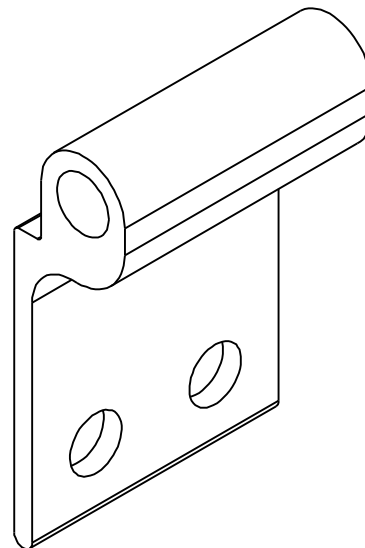
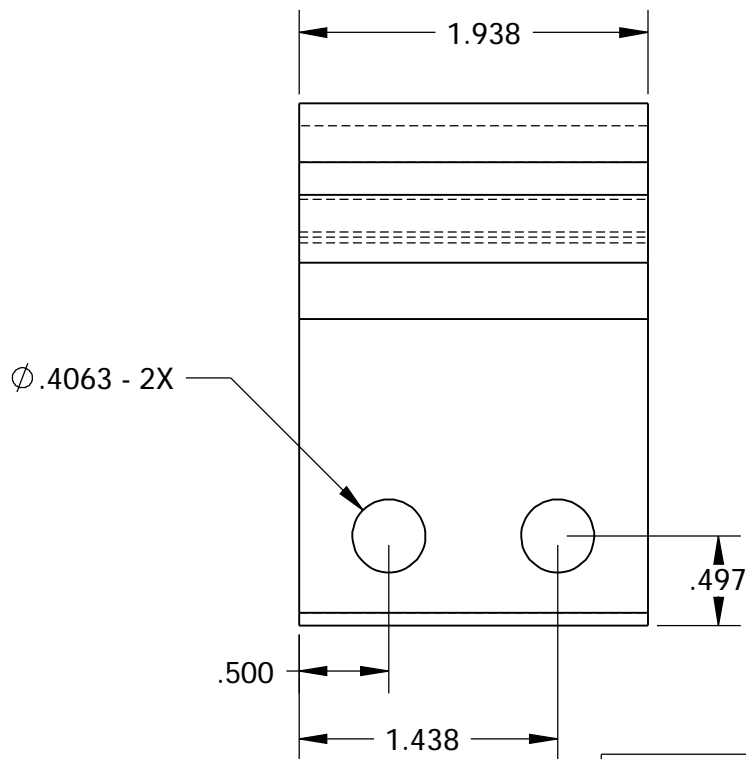
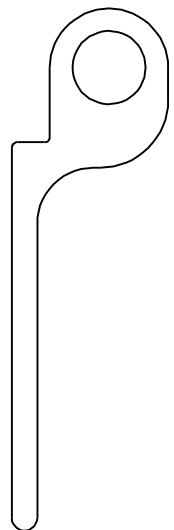
TITLE:
 PIVOT BRACKET

MAT'L:
 6005-T5

FINISH:
 -AL

DWG. #:
 227-90227

C	14855	JRN	03-04-09	R.3125 WAS R.0938
B	14190	JRN	01-02-08	1.938 WAS 2.000, 1.438 WAS 1.500
DWG. REV.	ECR/NDR NUMBER	REVISED BY	DATE	DESCRIPTION



ALL DIMENSIONS ARE IN INCHES
UNLESS OTHERWISE STATED
TOLERANCES EXCEPT AS NOTED

DECIMALS:
.X ±0.100
.XX ±0.060
.XXX ±0.030
.XXXX ±0.010

ANGLES:
±1°
ALL FORMED ANGLES
EQUAL 90° UNLESS
NOTED OTHERWISE

() INDICATES REFERENCE

THE INFORMATION IN THIS DRAWING IS THE SOLE
PROPERTY OF SMART TRANSPORT SOLUTIONS, INC.
ANY REPRODUCTION IN PART OR WHOLE WITHOUT
THE WRITTEN PERMISSION OF SMART TRANSPORT
SOLUTIONS, INC. IS PROHIBITED

APPROVED BY:

DRAWN BY:
JOEL NEHRING
DATE: 08-02-07
SHEET: 2 OF 2
SCALE: N/A

SMART Transport Solutions
...the genius is in the design

TITLE: PIVOT BRACKET

MAT'L: 6005-T5

FINISH: -AL

DWG. #: 227-90227

DWG. REV.	ECR/NDR NUMBER	REVISED BY	DATE	DESCRIPTION
C	14855	JRN	03-04-09	R.3125 WAS R.0938
B	14190	JRN	01-02-08	1.938 WAS 2.000, 1.438 WAS 1.500