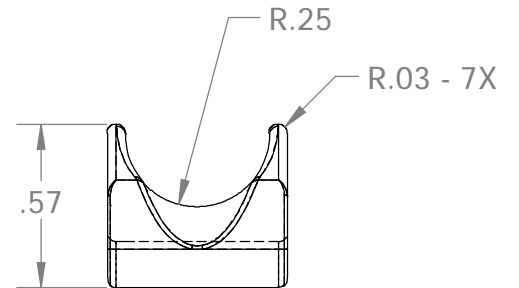
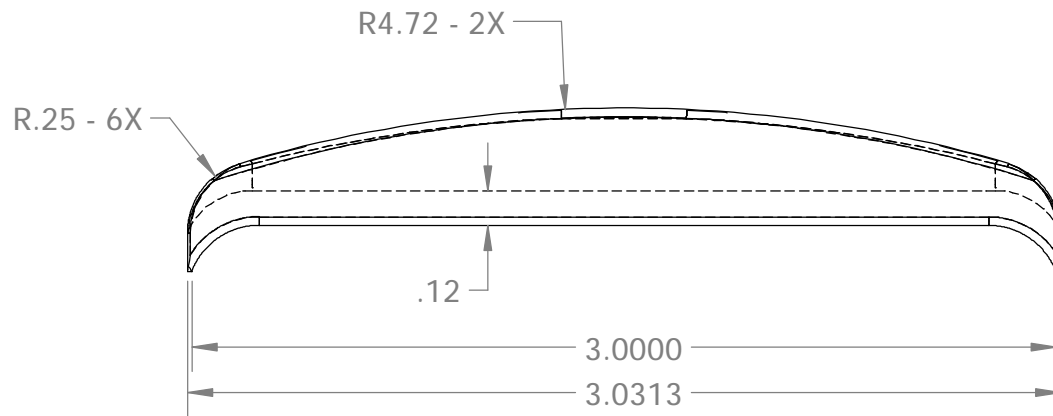


R.01 ALL OTHER



ALL DIMENSIONS ARE IN INCHES  
UNLESS OTHERWISE STATED  
TOLERANCES EXCEPT AS NOTED

DECIMALS:

.X ±0.100  
.XX ±0.060  
.XXX ±0.030  
.XXXX ±0.010

ANGLES:

±1°  
ALL FORMED ANGLES  
EQUAL 90° UNLESS  
NOTED OTHERWISE

( ) INDICATES REFERENCE

THE INFORMATION IN THIS DRAWING IS THE SOLE  
PROPERTY OF KARAVAN TRAILERS, INC. ANY  
REPRODUCTION IN PART OR WHOLE WITHOUT  
THE WRITTEN PERMISSION OF KARAVAN TRAILERS,  
INC. IS PROHIBITED

APPROVED BY:

~ ~ ~

DRAWN BY:  
MATTHEW J. HEINEN

DATE:  
7/10/2013

SHEET:  
1 OF 1

SCALE:  
N/A

**KARAVAN**

TITLE:  
U-BOLT SEAT  
3 IN TUBE

MAT'L:  
PLASTIC

FINISH:  
N/A

DWG. #: 229-00591-B

DWG. REV.	ECR/NDR NUMBER	REVISED BY	DATE	DESCRIPTION
B	15657	MJH	11-15-13	REDUCED LEG LENGTH, UPDATED RADII.
A	15657	MJH	07-10-13	NEW PART DRAWING CREATED.