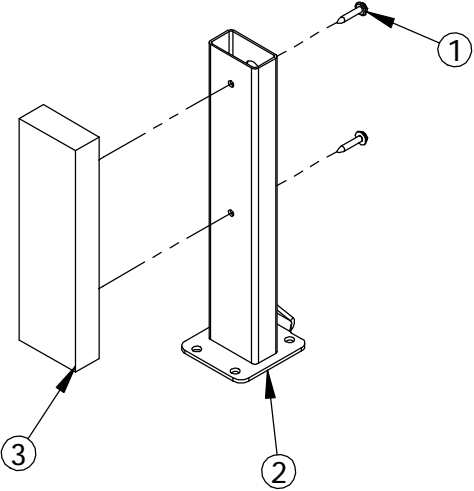
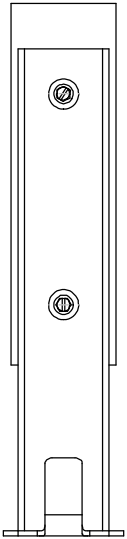
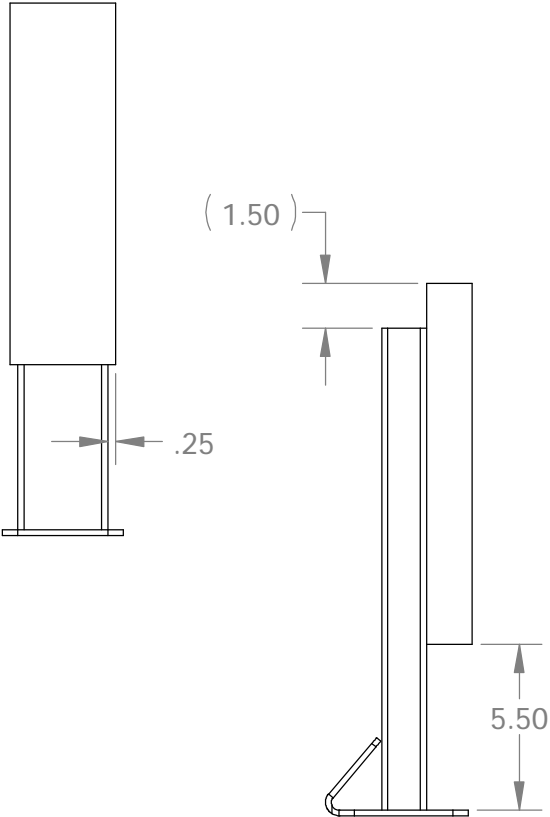


ITEM NO.	PART NUMBER	DESCRIPTION	QTY.
1	210-00130	.25" X 1.50" LAG BOLT	2
2	300-01858	BOW STAND WELDMENT	1
3	310-02293	GUIDE-ON ASSY.	1



ALL DIMENSIONS ARE IN INCHES
UNLESS OTHERWISE STATED
TOLERANCES EXCEPT AS NOTED
DECIMALS:

.X	±0.100
.XX	±0.060
.XXX	±0.030
.XXXX	±0.010

ANGLES:
±1°
ALL FORMED ANGLES
EQUAL 90° UNLESS
NOTED OTHERWISE
() INDICATES REFERENCE

THE INFORMATION IN THIS DRAWING IS THE SOLE
PROPERTY OF KARAVAN TRAILERS, INC. ANY
REPRODUCTION IN PART OR WHOLE WITHOUT
THE WRITTEN PERMISSION OF KARAVAN TRAILERS,
INC. IS PROHIBITED.

APPROVED BY:

DRAWN BY:
DOWN CASTLE

DATE:
10-03-07

SHEET:
1 OF 1

SCALE:
N/A

KARAVAN

TITLE:
GUIDE ON ASSY

MAT'L:
SEE B.O.M.

FINISH:
@ASSEMBLY

DWG. #:
310-02292-A

DWG. REV.	ECR/NDR NUMBER	REVISED BY	DATE	DESCRIPTION
A/1	14853	JRN	03-31-09	UPDATED 300-01858
A	14311	DLC	10-03-07	DRAWING CREATED