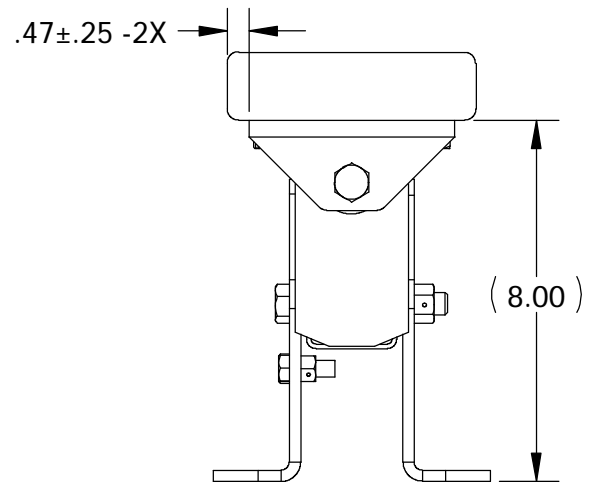


ITEM NO.	PART NUMBER	DESCRIPTION	QTY.
1	100-00014	BUNK PIVOT BRACKET	2
2	100-02915	ROLLER BEAM BRACKET	2
3	210-00013	.50"-13 X 3.50" HX HD BOLT	1
4	210-00022	.375"-16 X 1.00" HX HD BOLT	2
5	210-00061	.50"-13 CENTERLOCK HEX NUT	3
6	210-00072	.50"-13 X 1.25" HX HD BOLT	2
7	210-00076	.375"-16 CENTERLOCK HEX NUT	2
8	210-00273	.50" X 1.50" LAG BOLT	4
9	229-00229	NYLON WASHER	2
10	300-01284	BUNK SUPPORT WELDMENT	1
11	310-01451	BUNK BOARD ASSEMBLY	1
12	210-00017	.50" FLAT WASHER	2



ALL DIMENSIONS ARE IN INCHES
UNLESS OTHERWISE STATED
TOLERANCES EXCEPT AS NOTED
DECIMALS:

.X ±0.100
.XX ±0.060
.XXX ±0.030
.XXXX ±0.010

ANGLES:
±1°

ALL FORMED ANGLES
EQUAL 90° UNLESS
NOTED OTHERWISE

() INDICATES REFERENCE

THE INFORMATION IN THIS DRAWING IS THE SOLE
PROPERTY OF KARAVAN TRAILERS, INC. ANY
REPRODUCTION IN PART OR WHOLE WITHOUT
THE WRITTEN PERMISSION OF KARAVAN TRAILERS,
INC. IS PROHIBITED.

APPROVED BY:

DRAWN BY:

PATRIC SCHMIT

DATE:

02-14-07

SHEET:

1 OF 2

SCALE:

N/A

KARAVAN

TITLE:

BUNK ASSY

MAT'L:

SEE B.O.M.

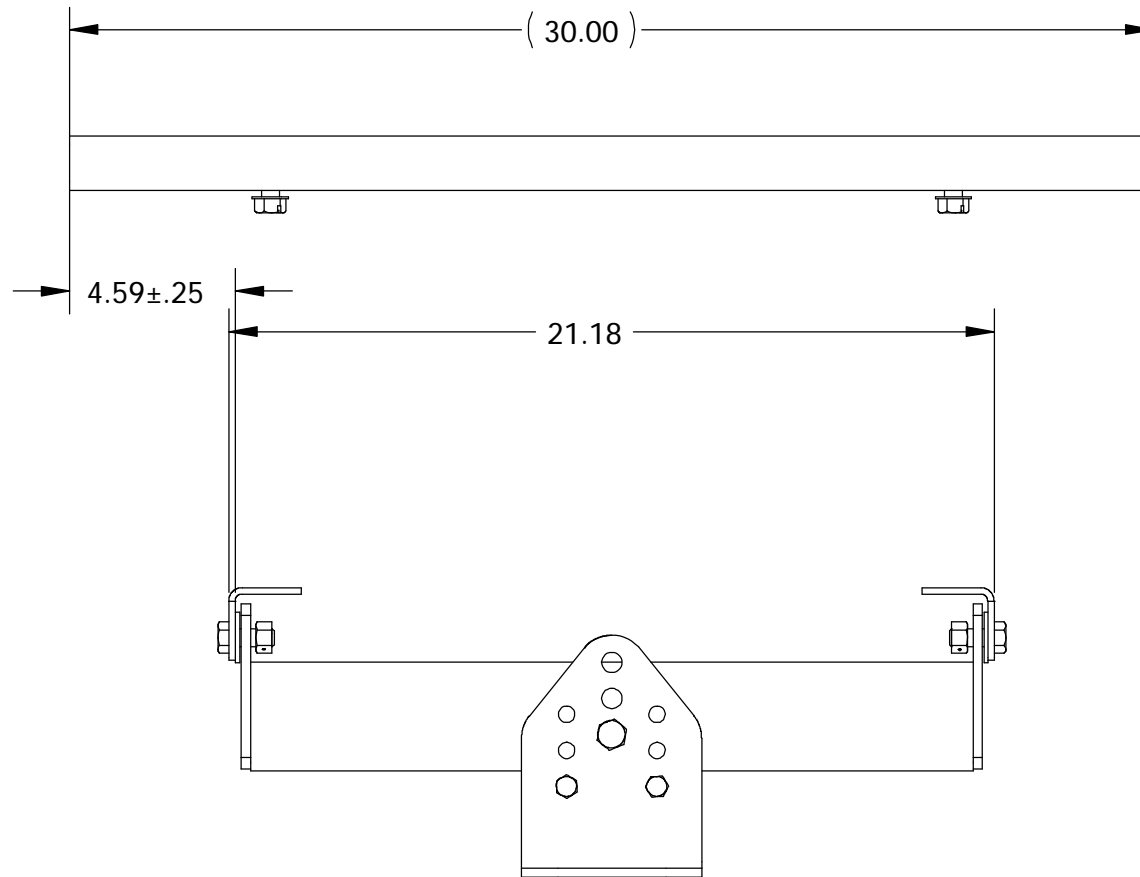
FINISH:

N/A

DWG. #:

310-02230

A/2	14241	DLC	10-09-07	CHANGED ECR NUMBER; MOVED BRACKETS TO SHOW THE DIMENSIONS BETTER.
A/1	14021	PCS	03-20-07	(8.00) WAS (10.00)
DWG. REV.	ECR/NDR NUMBER	REVISED BY	DATE	DESCRIPTION



ALL DIMENSIONS ARE IN INCHES
UNLESS OTHERWISE STATED
TOLERANCES EXCEPT AS NOTED
DECIMALS:

.X ±0.100
.XX ±0.060
.XXX ±0.030
.XXXX ±0.010

ANGLES:
±1°

ALL FORMED ANGLES
EQUAL 90° UNLESS
NOTED OTHERWISE

() INDICATES REFERENCE

THE INFORMATION IN THIS DRAWING IS THE SOLE
PROPERTY OF KARAVAN TRAILERS, INC. ANY
REPRODUCTION IN PART OR WHOLE WITHOUT
THE WRITTEN PERMISSION OF KARAVAN TRAILERS,
INC. IS PROHIBITED.

APPROVED BY:

DRAWN BY:
PATRIC SCHMIT

DATE: 02-14-07

SHEET: 2 OF 2

SCALE: N/A

KARAVAN

TITLE:

BUNK ASSY

MAT'L:

SEE B.O.M.

FINISH:

N/A

DWG. #:

310-02230

DWG. REV.	ECR/NDR NUMBER	REVISED BY	DATE	DESCRIPTION
A/2	14241	DLC	10-09-07	CHANGED ECR NUMBER; MOVED BRACKETS TO SHOW DIMENSIONS BETTER.
A/1	14021	PCS	03-20-07	(8.00) WAS (10.00)