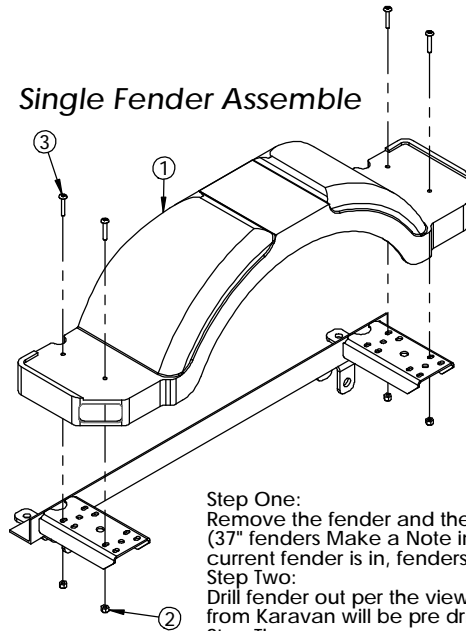


ITEM NO.	PART NUMBER	DESCRIPTION	QTY.
1	206-00085	FENDER (LH)	1
2	210-00340	.250"-20 NYLOCK HEX NUT	4
3	210-00384	SCREW 6 LOBE TRUSS HD 1/4"-20 X 1-1/2"	4

ITEM NO.	PART NUMBER	DESCRIPTION	QTY.
1	100-04618	FENDER STEP PLATE	1
2	206-00085	FENDER (LH)	1
3	206-00085	FENDER (LH)	1
4	210-00340	.250"-20 NYLOCK HEX NUT	8
5	210-00384	SCREW 6 LOBE TRUSS HD 1/4"-20 X 1-1/2"	8

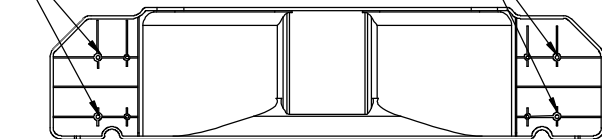
## New Fender Mounting Instructions

### Single Fender Assemble

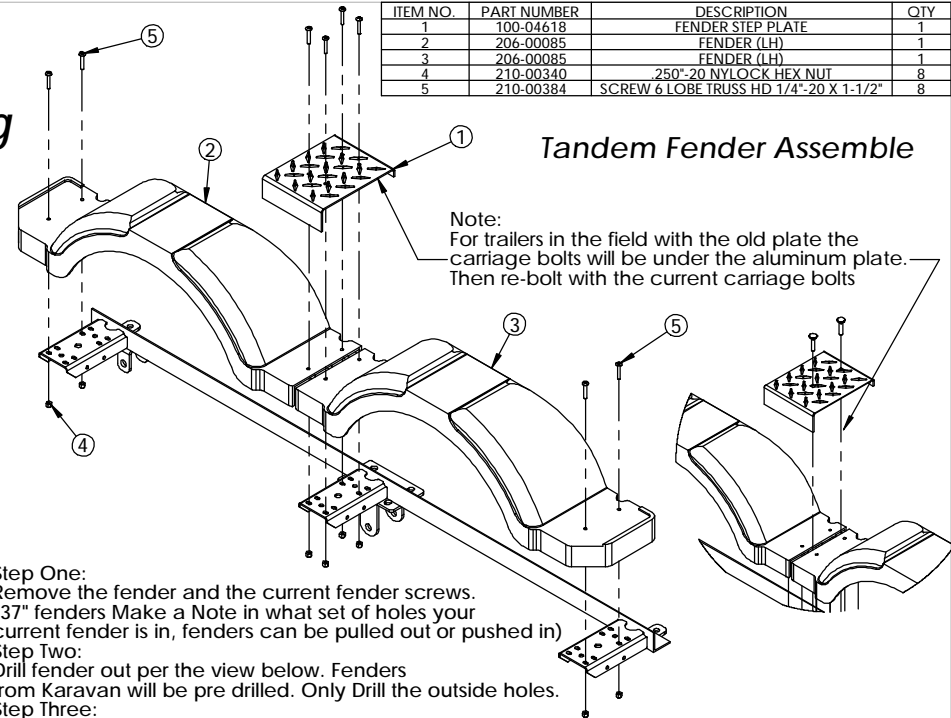


**Step One:**  
Remove the fender and the current fender screws.  
(37" fenders Make a Note in what set of holes your current fender is in, fenders can be pulled out or pushed in)  
**Step Two:**  
Drill fender out per the view below. Fenders from Karavan will be pre drilled. Only Drill the outside holes.  
**Step Three:**  
Place fender into place and run the bolt from the top through the fender and fender bracket and nut on the bottom side and tighten to 32in/lbs.

Holes are drilled to  $\phi .256$  (letter F Drill)  
 $\phi .250$  Drill Can be used to Modify Fenders in the Field

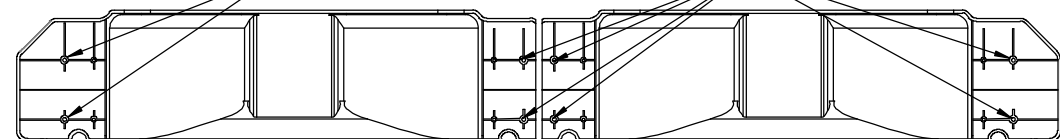


### Tandem Fender Assemble



**Step One:**  
Remove the fender and the current fender screws.  
(37" fenders Make a Note in what set of holes your current fender is in, fenders can be pulled out or pushed in)  
**Step Two:**  
Drill fender out per the view below. Fenders from Karavan will be pre drilled. Only Drill the outside holes.  
**Step Three:**  
Place fender into place and run the bolt from the top through the fender and fender bracket and nut on the bottom side and tighten to 32in/lbs.

Holes are drilled to  $\phi .256$  (letter F Drill)  
 $\phi .250$  Drill Can be used to Modify Fenders in the Field



ALL DIMENSIONS ARE IN INCHES  
UNLESS OTHERWISE STATED  
TOLERANCES EXCEPT AS NOTED  
DECIMALS:  
.X  $\pm 0.100$   
.XX  $\pm 0.060$   
.XXX  $\pm 0.030$   
.XXXX  $\pm 0.010$   
ANGLES:  
 $\pm 1^\circ$   
ALL FORMED ANGLES  
EQUAL 90° UNLESS  
NOTED OTHERWISE  
( ) INDICATES REFERENCE

THE INFORMATION IN THIS DRAWING IS THE SOLE  
PROPERTY OF KARAVAN TRAILERS, INC. ANY  
REPRODUCTION IN PART OR WHOLE WITHOUT  
THE WRITTEN PERMISSION OF KARAVAN TRAILERS,  
IS PROHIBITED.  
APPROVED BY: ---  
DRAWN BY: JOEL NEHRING  
DATE: 9/19/2011  
SHEET: 1 OF 1  
SCALE: N/A

**KARAVAN**  
TRAILERS

TITLE: FENDER MOUNTING  
MAT'L: SEE BOM  
FINISH: N/A  
DWG. #: 320-02634-A

DWG. REV.	ECR/NDR NUMBER	REVISED BY	DATE	DESCRIPTION
A	15343	JRN	09-19-11	DRAWING CREATED