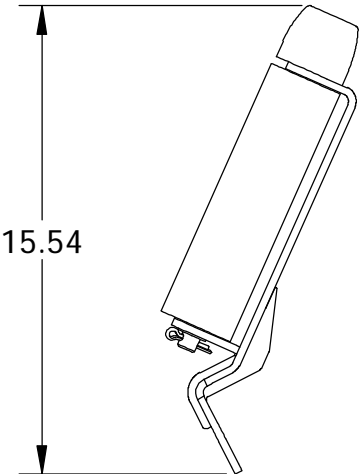
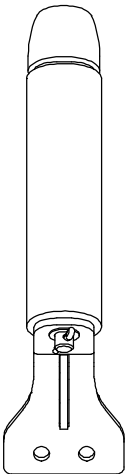
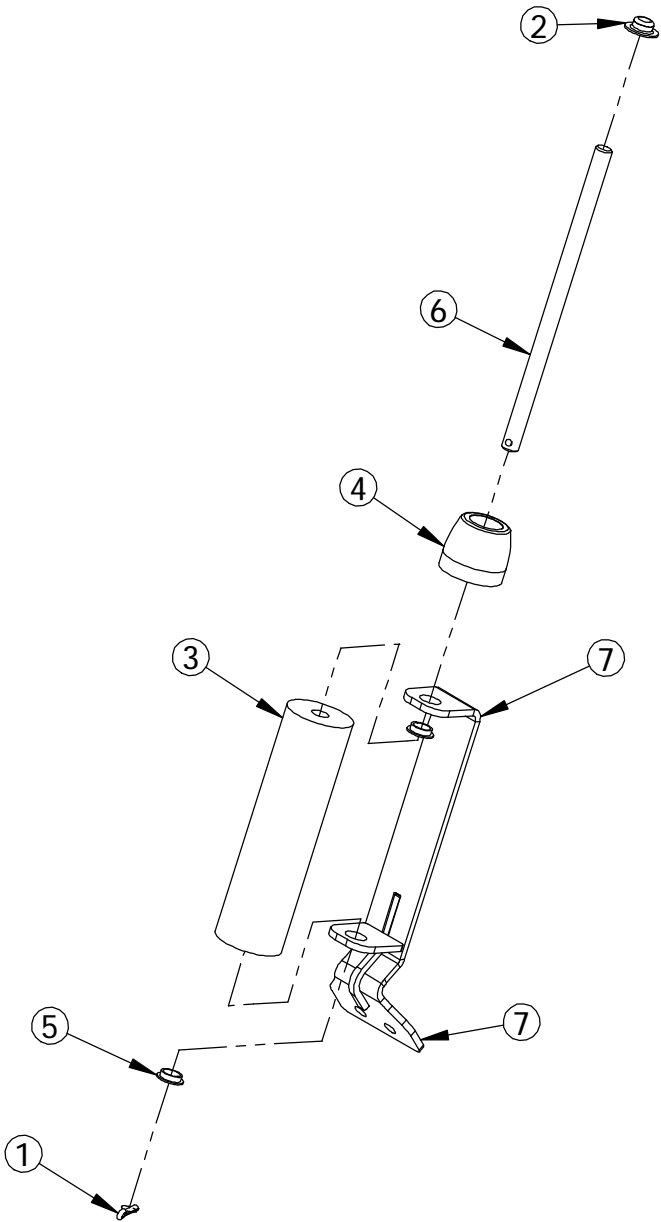


ITEM NO.	PART NUMBER	DESCRIPTION	QTY.
1	207-00043	COTTER PIN	1
2	210-00067	.625" PAL NUT	1
3	216-00002	FLAT ROLLER	1
4	216-00037	END CAP	1
5	229-00444	NYLON SHOULDER WASHER	2
6	229-00623	ROLLER AXLE	1
7	300-02805	GUIDE ON WELDMENT	1



ALL DIMENSIONS ARE IN INCHES
UNLESS OTHERWISE STATED
TOLERANCES EXCEPT AS NOTED
DECIMALS:
.X ±0.100
.XX ±0.060
.XXX ±0.030
.XXXX ±0.010
ANGLES:
±1°
ALL FORMED ANGLES
EQUAL 90° UNLESS
NOTED OTHERWISE
() INDICATES REFERENCE

THE INFORMATION IN THIS DRAWING IS THE SOLE
PROPERTY OF KARAVAN TRAILERS, INC. ANY
REPRODUCTION IN PART OR WHOLE WITHOUT
THE WRITTEN PERMISSION OF KARAVAN TRAILERS,
INC. IS PROHIBITED.
APPROVED BY:

DRAWN BY:
DON CASTLE
DATE: 01-14-13
SHEET: 1 OF 1
SCALE: N/A

KARAVAN
TRAILERS
TITLE: GUIDE ON ASSEMBLY
MAT'L: SEE B.O.M.
FINISH: -BL
DWG. #: **310-03132-B**

B	15846	NRZ	08-26-15	207-00043 REPLACED 210-00302, 229-00623 REPLACED 229-00397
A/1	15574	DLC	07-15-13	UPDATED 300-02805 & ADJUSTED EXPLODE PER ASSEMBLY
DWG. REV.	ECR/NDR NUMBER	REVISED BY	DATE	DESCRIPTION