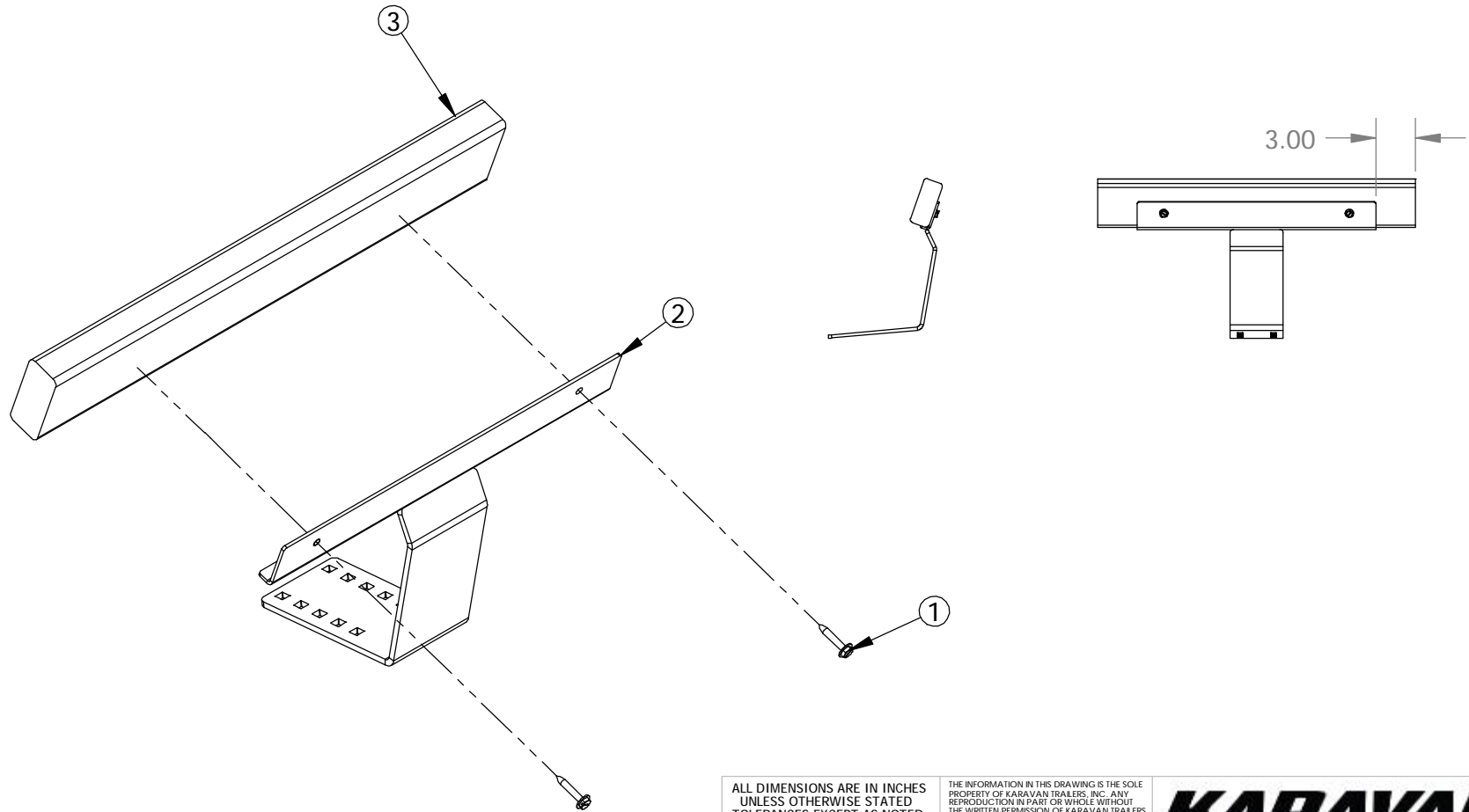


ITEM NO.	PART NUMBER	DESCRIPTION	QTY.
1	210-00130	.25" X 1.50" LAG BOLT	2
2	300-03249	GUIDE-ON SUPPORT WELDMENT	1
3	310-02551	BUNK ASSY	1



ALL DIMENSIONS ARE IN INCHES
UNLESS OTHERWISE STATED
TOLERANCES EXCEPT AS NOTED
DECIMALS:

.X ±0.100
.XX ±0.060
.XXX ±0.030
.XXXX ±0.010

ANGLES:

±1°

ALL FORMED ANGLES
EQUAL 90° UNLESS
NOTED OTHERWISE

() INDICATES REFERENCE

THE INFORMATION IN THIS DRAWING IS THE SOLE
PROPERTY OF KARAVAN TRAILERS, INC. ANY
REPRODUCTION IN PART OR WHOLE WITHOUT
THE WRITTEN PERMISSION OF KARAVAN TRAILERS,
INC. IS PROHIBITED.

APPROVED BY:

DRAWN BY:

JOEL NEHRING

DATE:

05-23-14

SHEET:

1 OF 1

SCALE:

N/A

KARAVAN

TITLE:

GUIDE ON ASSY

MAT'L:

SEE B.O.M.

FINISH:

N/A

DWG. #:

310-03485-A

DWG. REV.	ECR/NDR NUMBER	REVISED BY	DATE	DESCRIPTION
A	15741	JRN	05-23-14	DRAWING CREATED