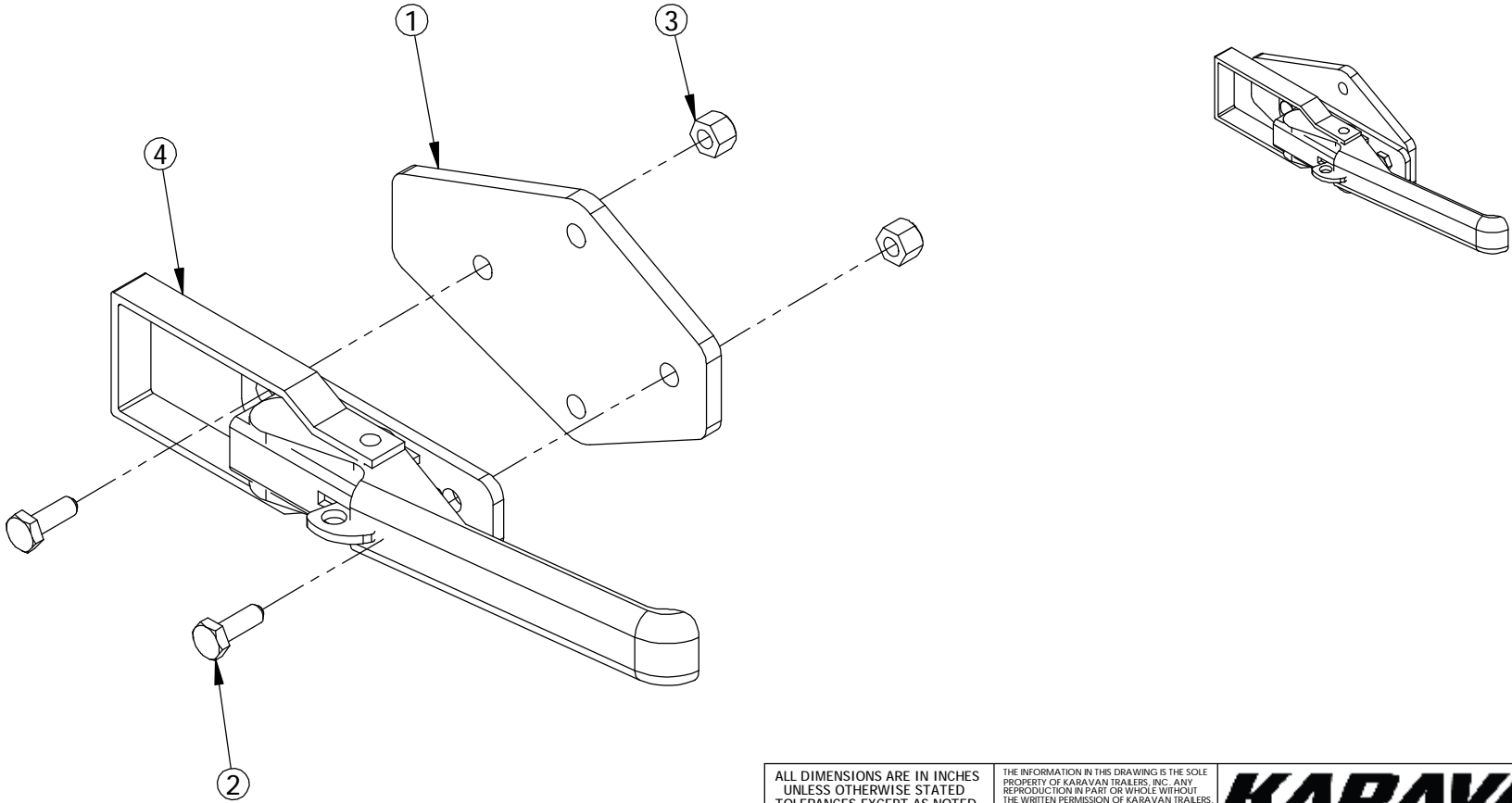


ITEM NO.	PART NUMBER	DESCRIPTION	QTY.
1	100-06564	LATCH MOUNTING BRACKET	1
2	210-00084	.25"-20 X .75" HX HD BOLT	2
3	210-00340	.250"-20 NYLOCK HEX NUT	2
4	229-00354	RAMP LATCH	1



ALL DIMENSIONS ARE IN INCHES
UNLESS OTHERWISE STATED
TOLERANCES EXCEPT AS NOTED
DECIMALS:
.X ±0.100
.XX ±0.060
.XXX ±0.030
.XXXX ±0.010
ANGLES:
±1°
ALL FORMED ANGLES
EQUAL 90° UNLESS
NOTED OTHERWISE
() INDICATES REFERENCE

THE INFORMATION IN THIS DRAWING IS THE SOLE
PROPERTY OF KARAVAN TRAILERS, INC. ANY
REPRODUCTION IN PART OR WHOLE WITHOUT
THE WRITTEN PERMISSION OF KARAVAN TRAILERS,
INC. IS PROHIBITED.

APPROVED BY:

DRAWN BY:
Kay Hopf

DATE:
01-19-18

SHEET:
1 OF 1

SCALE:
N/A

KARAVAN

TITLE:
LATCH BRACKET ASSY

MAT'L:
SEE B.O.M.

FINISH:
N/A

DWG. #: **310-03893-A**

A	16075	KMH	01-19-18	DRAWING CREATED
DWG. REV.	ECR/NDR NUMBER	REVISED BY	DATE	DESCRIPTION