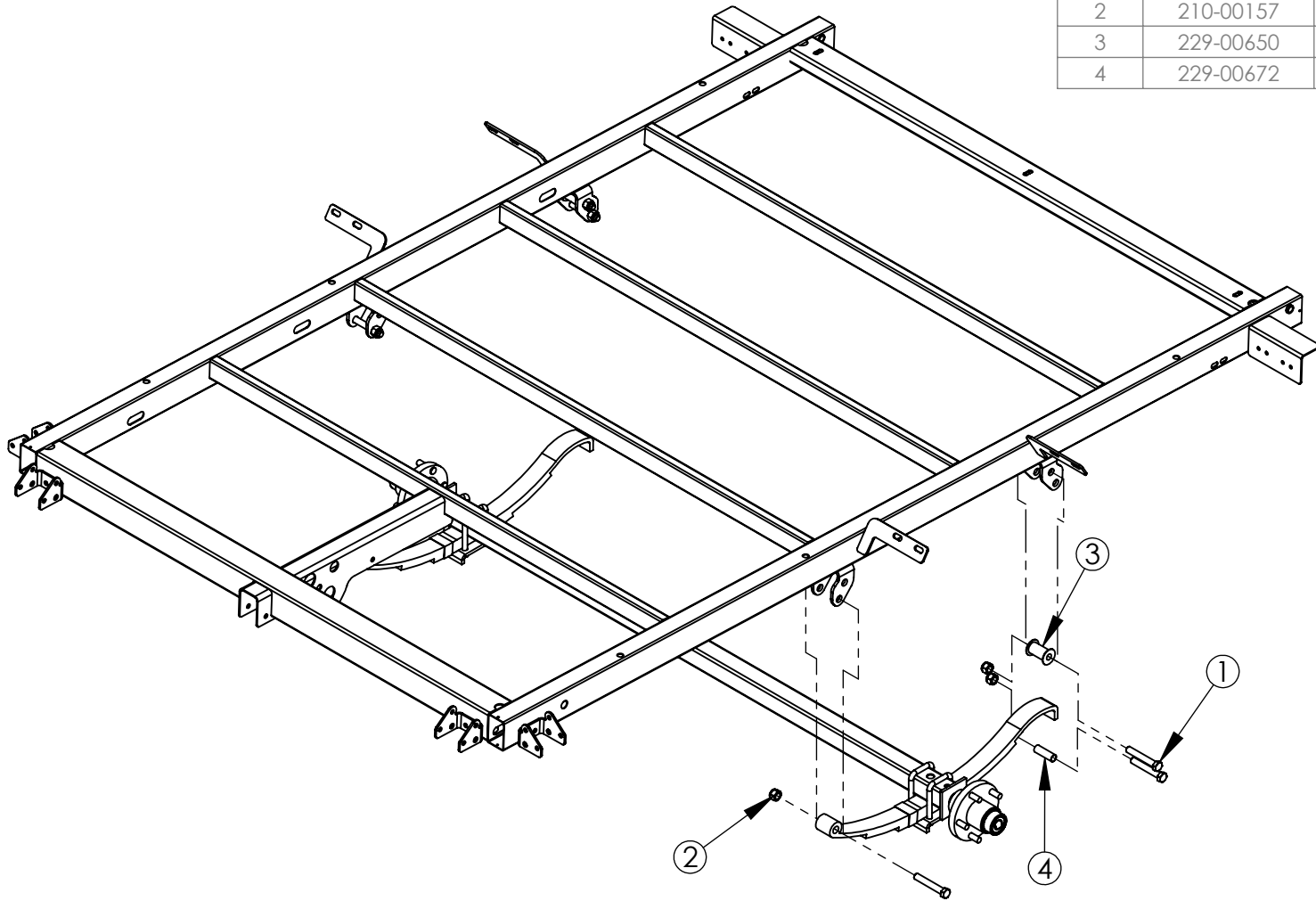


ITEM NO.	PART NUMBER	DESCRIPTION	QTY.
1	210-00459	.563"-12 X 3.25" HX HD BOLT	6
2	210-00157	.563"-12 NYLOCK HEX NUT	6
3	229-00650	BUSHING	2
4	229-00672	BUSHING	2



ALL DIMENSIONS ARE IN INCHES
UNLESS OTHERWISE STATED
TOLERANCES EXCEPT AS NOTED

DECIMALS:

.X ±0.100
.XX ±0.060
.XXX ±0.030
.XXXX ±0.010

ANGLES:

±1°
ALL FORMED ANGLES
EQUAL 90° UNLESS
NOTED OTHERWISE

() INDICATES REFERENCE

THE INFORMATION IN THIS DRAWING IS THE SOLE
PROPERTY OF KARAVAN TRAILERS, INC. ANY
REPRODUCTION IN PART OR WHOLE WITHOUT
THE WRITTEN PERMISSION OF KARAVAN TRAILERS,
INC. IS PROHIBITED

APPROVED BY:

DRAWN BY:

Kay Hopf

DATE:

02-27-19

SHEET:

1 OF 1

SCALE:

N/A

KARAVAN

TITLE:

AXLE MNTG KIT
PARABOLIC SINGLE

MATL:

SEE B.O.M.

FINISH:

N/A

DWG. #:

330-00101-A

DWG. REV.	ECR/NDR NUMBER	REVISED BY	DATE	DESCRIPTION
A	16153	KMH	02-27-19	DRAWING CREATED