

Fastener Kit:
63072F

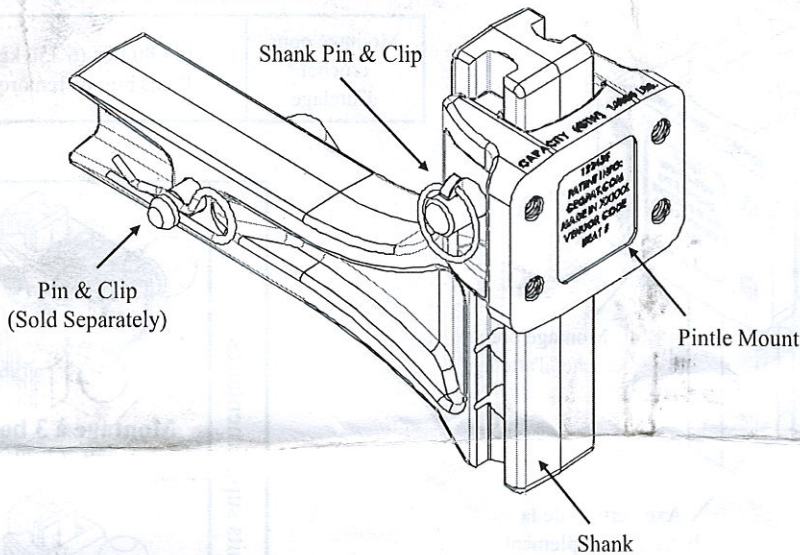
Installation Instructions

Adjustable Pintle Mount

Part Number:
63072

Do Not Exceed Lower of Towing Vehicle
Manufacturer's Rating or

Pintle Mount	14,000 Lbs (6350 Kg) GTW
--------------	--------------------------

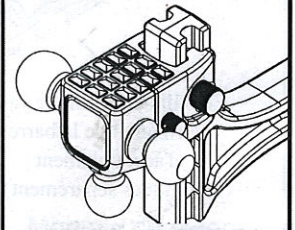


1. Insert shank into hitch receiver and attach pin & clip (sold separately).
2. Insert pintle mount onto the shank, adjust to proper height and attach shank pin & clip. (Height adjustment is in increments of 1.25 inches.)

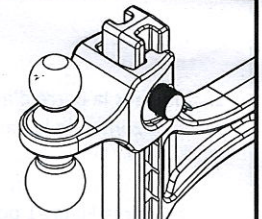
Note: See Figure 1 for maximum drop position and Figure 2 for maximum rise position.

Tighten all 1/2-13 fasteners with torque wrench to 110 Lb.-Ft. (149 N*M)

Additional Products



Tri-Ball Mount
P/N: 63070



Dual Ball Mount
P/N: 63071

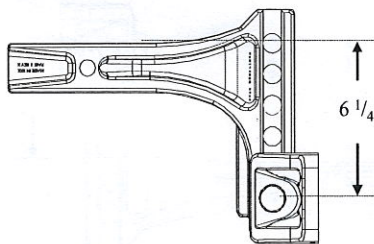


Figure 1: Max. Drop Position

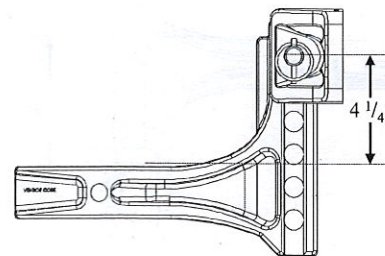


Figure 2: Max Rise Position

Note: Check for proper ball mount height with vehicle and trailer loaded for travel. At proper adjustment the trailer coupler and tongue should be level with the ground. See Figure 5.

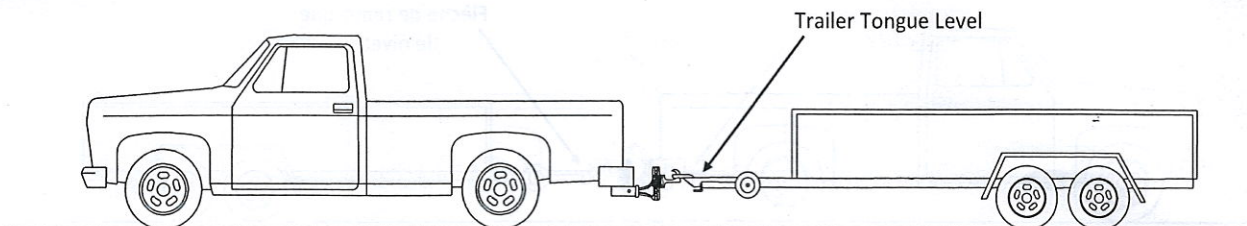


Figure 5: Proper Ball Height

Note: check hitch frequently, making sure all fasteners are properly tightened. A hitch or ball which has been damaged should be removed and replaced.

This product complies with safety specifications and requirements for connecting devices and towing systems of the state of New York, V.E.S.C. Regulation V-5 and SAE J684.