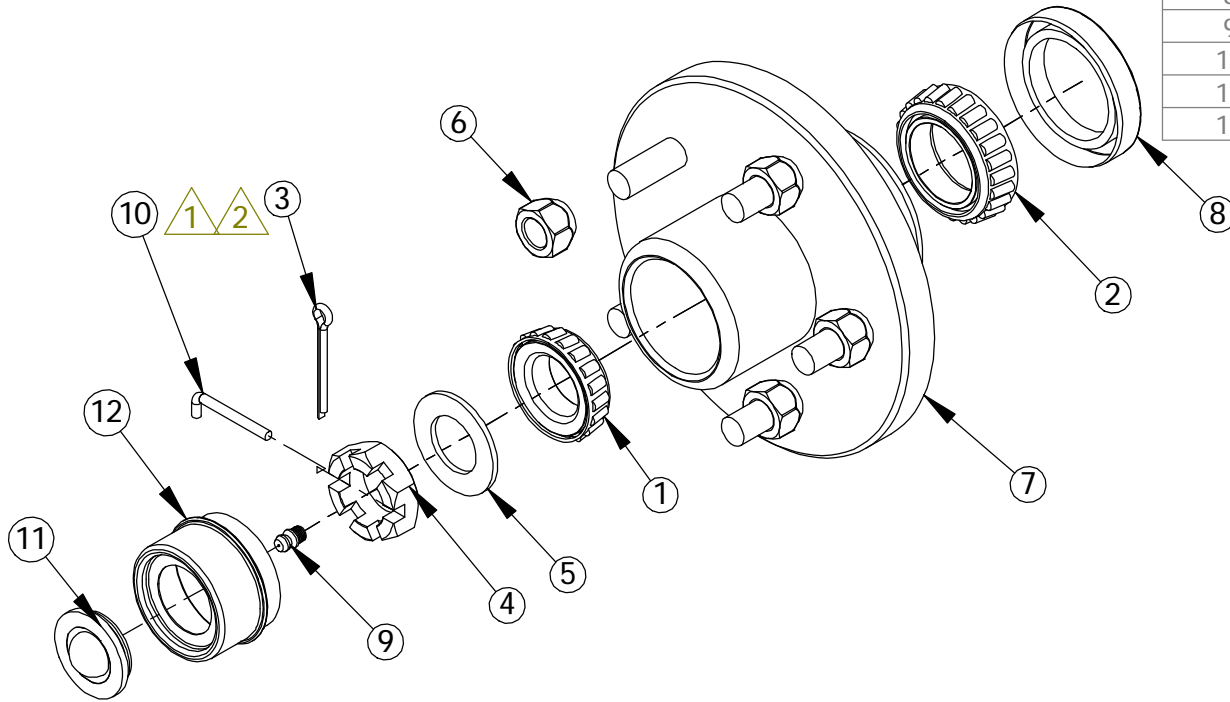


ITEM NO.	PART NUMBER	DESCRIPTION	QTY.
1	202-00002	BEARING CONE	1
2	202-00003	BEARING CONE	1
3	207-00039	COTTER PIN	1
4	210-00062	1.00"-14 SLOTTED JAM NUT	1
5	210-00063	1.00" FLAT WASHER	1
6	210-00137	LUG NUT - S.S.	5
7	213-00007	5-BOLT HUB	1
8	217-00001	SEAL	1
9	229-00111	GREASE FITTING	1
10	229-00114	SAFETY PIN	1
11	229-00115	DUST CAP	1
12	229-00233	DUST CAP	1



NOTE:



229-00114 IS TO BE USED WHEN PIN HOLE IS CENTERED ON SPINDLE.



207-00039 IS TO BE USED WHEN PIN HOLE IS OFFSET ON SPINDLE.

DWG. REV.	ECR/NDR NUMBER	REVISED BY	DATE	DESCRIPTION
D/1	15833	MCS	02-19-15	ADDED NOTE
D	12042	MJS	09-19-01	229-00233 WAS 229-00113

ALL DIMENSIONS ARE IN INCHES UNLESS OTHERWISE STATED TOLERANCES EXCEPT AS NOTED

DECIMALS:

.X	±0.100
.XX	±0.060
.XXX	±0.030
.XXXX	±0.010

ANGLES:

±1°

ALL FORMED ANGLES EQUAL 90° UNLESS NOTED OTHERWISE

() INDICATES REFERENCE

THE INFORMATION IN THIS DRAWING IS THE SOLE PROPERTY OF KARAVAN TRAILERS, INC. ANY REPRODUCTION IN PART OR WHOLE WITHOUT THE WRITTEN PERMISSION OF KARAVAN TRAILERS, INC. IS PROHIBITED.

APPROVED BY:

DRAWN BY: TKA

DATE: 03-16-99

SHEET: 1 OF 1

SCALE: N/A



TITLE: HUB ASS'Y 5 HOLE

MAT'L: SEE B.O.M.

FINISH: N/A

DWG. #: 310-00290-D