

NOTE:
 1.) ALL SPINDLES MUST BE SURE LUBE TYPE (WITH GREASE ZERK INSTALLED).

ALL DIMENSIONS ARE IN INCHES UNLESS OTHERWISE STATED
 TOLERANCES EXCEPT AS NOTED
 DECIMALS:
 .X ±0.100
 .XX ±0.060
 .XXX ±0.030
 .XXXX ±0.010
 ANGLES:
 ±1°
 ALL FORMED ANGLES EQUAL 90° UNLESS NOTED OTHERWISE
 () INDICATES REFERENCE

THE INFORMATION IN THIS DRAWING IS THE SOLE PROPERTY OF KARAVAN TRAILERS, INC. ANY REPRODUCTION IN PART OR WHOLE WITHOUT THE WRITTEN PERMISSION OF KARAVAN TRAILERS, INC. IS PROHIBITED.

APPROVED BY:
 ~ ~ ~

DRAWN BY:
 MATTHEW J. HEINEN

DATE:
 02-01-12

SHEET:
 1 OF 2

SCALE:
 N/A

KARAVAN

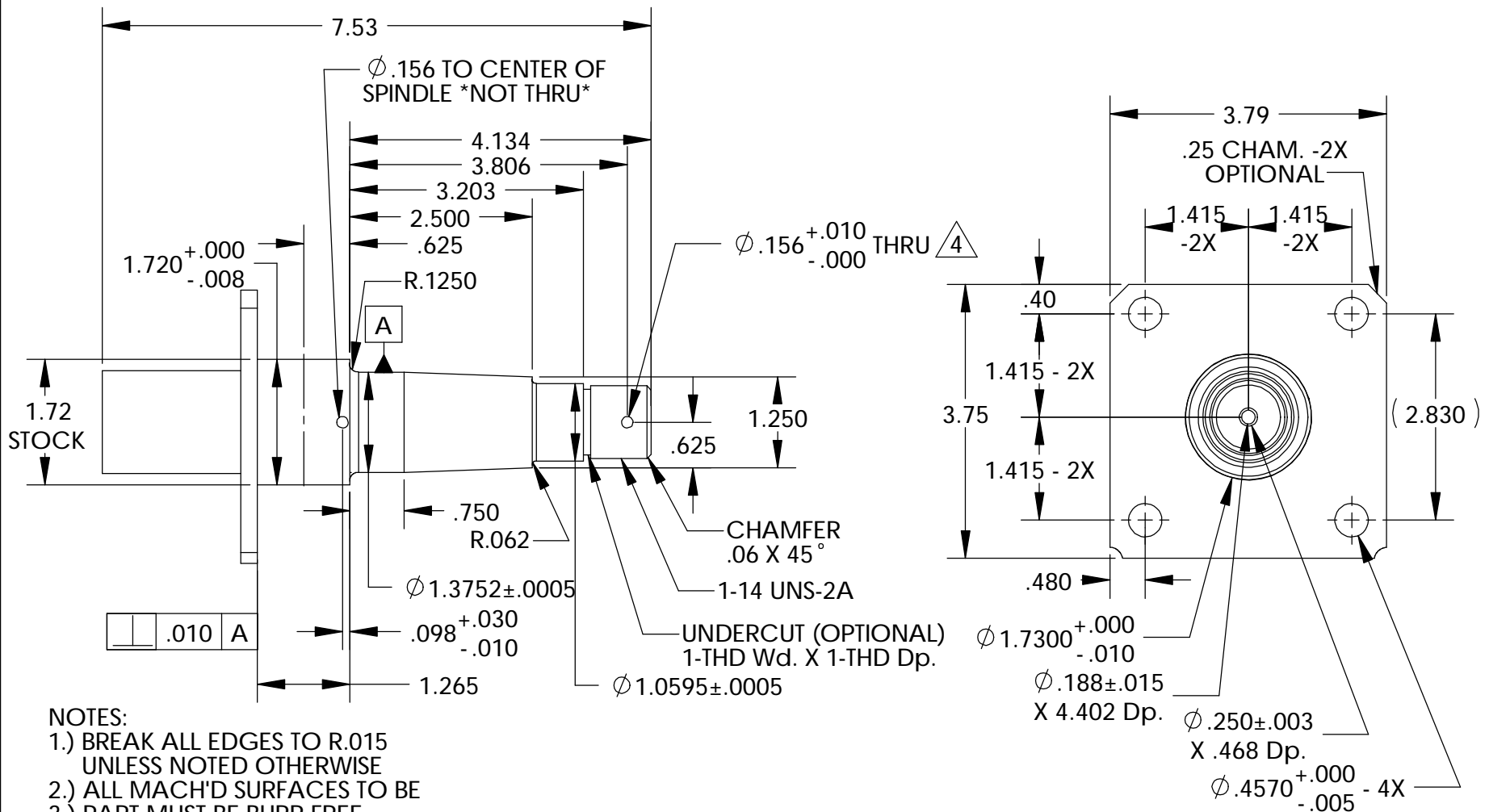
TITLE: TORSION AXLE 3750# W/ HUBS-74

MAT'L: PURCHASED

FINISH: -BL, -GL

DWG. #: 200-00102-C

DWG. REV.	ECR/NDR NUMBER	REVISED BY	DATE	DESCRIPTION
C	16057	MCS	11-21-17	CHANGED DIM. 80.89 TO 83.00, 87.13 TO 89.24
B	15913	JRS	05-10-16	BASE PLATE 3.125 TO 3.375 SLOTS ARE LARGER AND ADDED CENTER SLOT



NOTES:

- 1.) BREAK ALL EDGES TO R.015 UNLESS NOTED OTHERWISE
- 2.) ALL MACH'D SURFACES TO BE
- 3.) PART MUST BE BURR FREE
4. SIZE FOR "SNUG FIT OF P/N 207-00019
- 5.) HOLES MUST BE FREE OF ANY/ALL CHIPS
- 6.) CAPACITY: 1875#

ALL DIMENSIONS ARE IN INCHES UNLESS OTHERWISE STATED TOLERANCES EXCEPT AS NOTED DECIMALS:

.X	±0.100
.XX	±0.060
.XXX	±0.030
.XXXX	±0.010

ANGLES: ±1°
ALL FORMED ANGLES EQUAL 90° UNLESS NOTED OTHERWISE
() INDICATES REFERENCE

THE INFORMATION IN THIS DRAWING IS THE SOLE PROPERTY OF KARAVAN TRAILERS, INC. ANY REPRODUCTION IN PART OR WHOLE WITHOUT THE WRITTEN PERMISSION OF KARAVAN TRAILERS, INC. IS PROHIBITED.

APPROVED BY: ---
DRAWN BY: MATTHEW J. HEINEN
DATE: 02-01-12
SHEET: 2 OF 2
SCALE: N/A

KARAVAN

TITLE: TORSION AXLE 3750# W/ HUBS-74
MAT'L: PURCHASED
FINISH: -BL, -GL
DWG. #: 200-00102-C

DWG. REV.	ECR/NDR NUMBER	REVISED BY	DATE	DESCRIPTION
C	16057	MCS	11-21-17	CHANGED DIM. 80.89 TO 83.00, 87.13 TO 89.24
B	15913	JRS	05-10-16	BASE PLATE 3.125 TO 3.375 SLOTS ARE LARGER AND ADDED CENTER SLOT